

MODEL 463.200 /204 /207 /220 /221 /224 /225 /227 /228 /304 /307 /324 /325 /327 /328 with TRANSFER CASE 750.650

MODEL 463.228 /300 /320 /321 with TRANSFER CASE 750.651

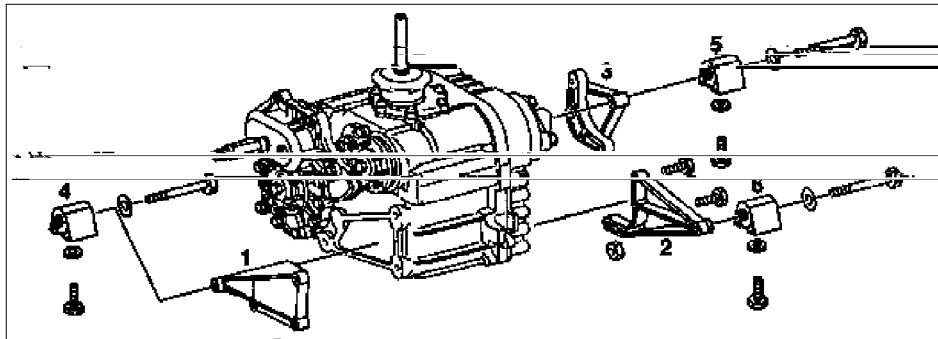
MODEL 463.200 /204 /207 /220 /221 /224 /225 /227 /228 /304 /307 /324 /325 /327 /328 with TRANSFER CASE 750.652

MODEL 463.206 /208 /209 /230 /231 /232 /233 /240 /241 /308 /330 /331 with TRANSFER CASE 750.653

MODEL 461.302 /332 /342 /345, 463.243 /244 /245 /246 /247 /248 /249 /254 /250 /309 /322 /323 /332 /333 with TRANSFER CASE 750.654

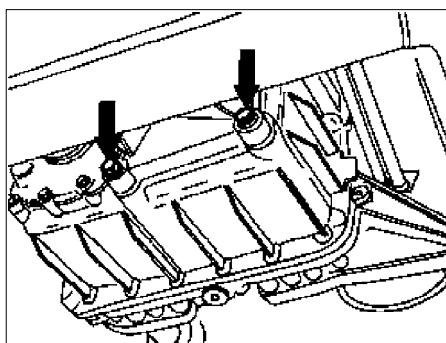
Shown on transfer case 750.653

- 1 Front supporting arm
- 2 Right rear supporting arm
- 3 Left rear supporting arm
- 4 Front rubber mount
- 5 Right rear rubber Right rear rubber mount
- 6 Left rear rubber mount

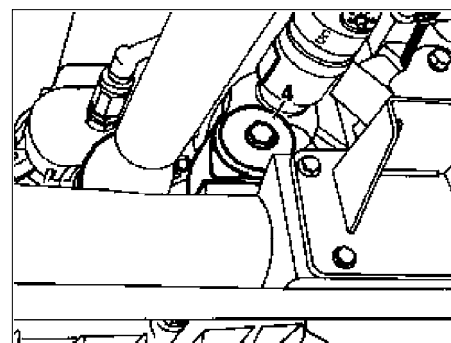


P28.10-2026-04

- 4 Front rubber mount

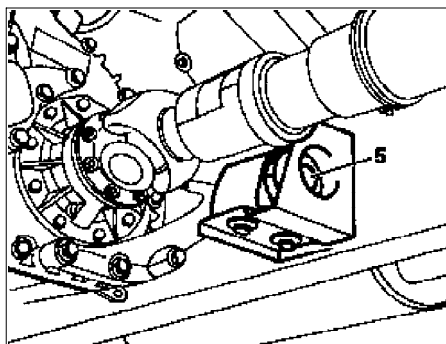


P28.10-2013-01

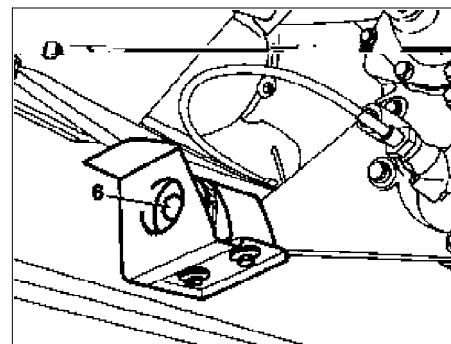


P28.10-2027-01

- 5 Right rear rubber mount
- 6 Left rear rubber mount



P28.10-2028-01



P28.10-2029-01

☒ ☒	Remove/Install		
1	Support transfer case and detach supporting arm (1) from transfer case	<p><b>i</b> As the procedure is similar for all 3 rubber mounts, these instructions only describe work on the front rubber mount.</p> <p><b>i</b> Use a suitable lifting tool.</p> <p><b>Nm</b></p>	*BA28.40-P-1018-01A
2	Detach supporting arm (1) from front rubber mount (4) and remove	<p><b>i</b> As the procedure is similar for all 3 rubber mounts, these instructions only describe work on the front rubber mount.</p>	
3	Remove front rubber mount (4) with bearing bracket	<p><b>i</b> As the procedure is similar for all 3 rubber mounts, these instructions only describe work on the front rubber mount.</p>	
4	Install in the reverse order		

**Nm** Transfer case housing

Number	Designation	Model 461, 463 with VG 750.65
BA28.40-P-1018-01A	Cantilever braces on transmission housing M10 Nm	49