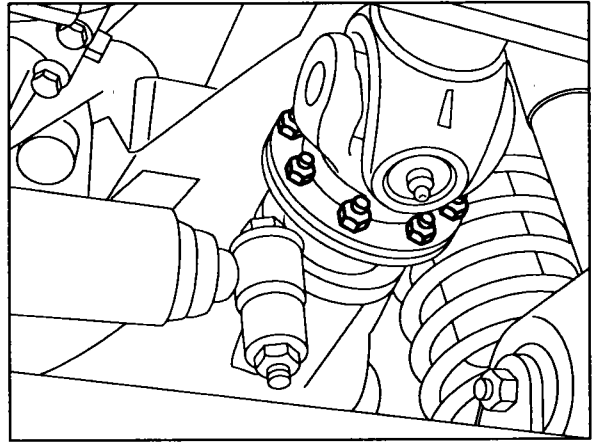


**Removal**

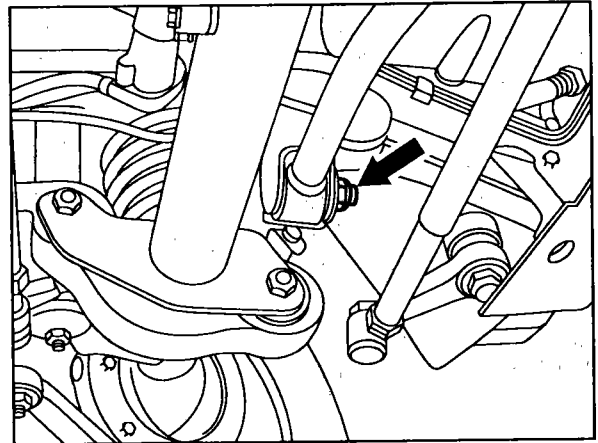
**Note:** Only renew springs in pairs.

1 Remove fastening bolts of universal-joint drive shaft on the drive flange. Remove universal-joint drive shaft from drive flange and tie to frame.



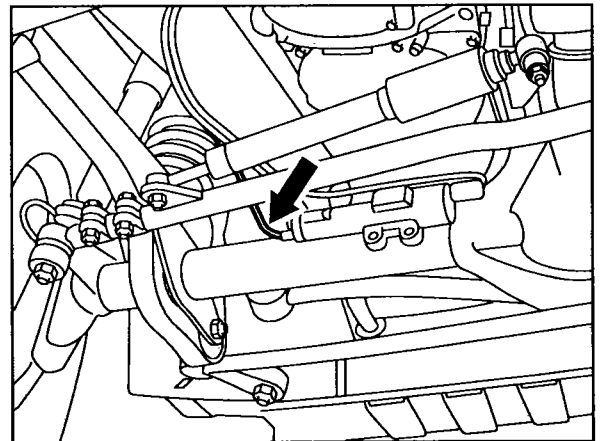
P41.10-0253-13

2 Lock steering to the left. Release transverse link at frame and press out of mount.



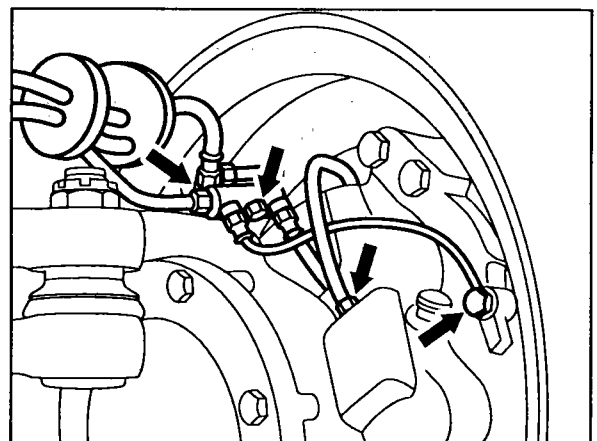
P31.30-0202-13

3 Release breather line over front axle and remove.



P33.00-0203-13

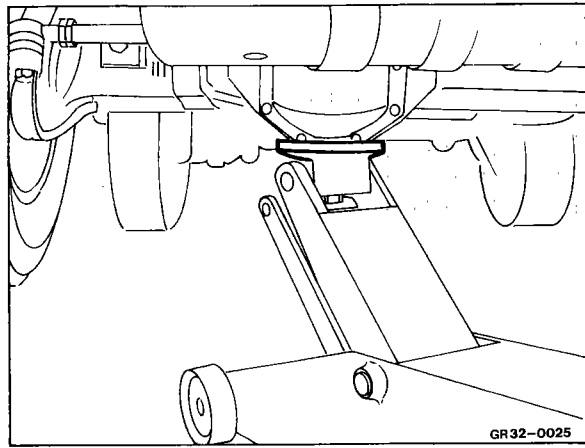
4 Unscrew brake line and cable for brake wear indicator on both sides of the front axle, detach retainers plate. Disconnect brake line and brake hose.



P42.50-0200-13

5 Jack up front axle.

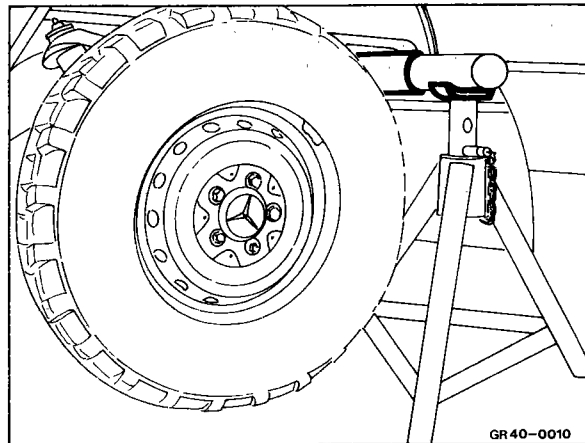
**Note:** Apply parking brake.



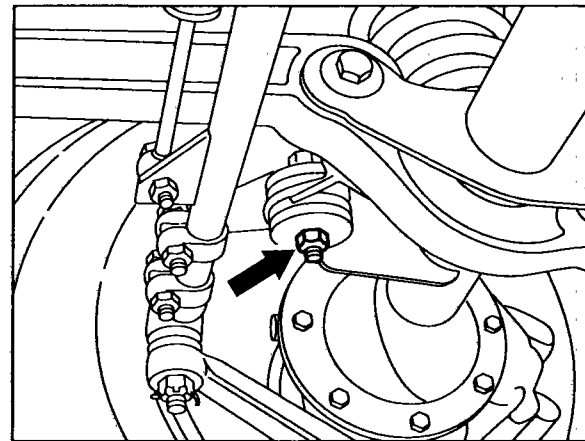
6 **Model 461:** Place stands under the tubular cross member of the body mounting respectively (see picture).

**Note:** Supporting height approx. 75 cm. Arrange three-legged stands in such a way that one leg stands out. The displacement of the stands to the outside can be carried out by using tubes of dia. 50×6×1100 (x2) which are inserted in the frame cross tube.

**Model 463:** Place frame under the area of the front trailing arm brackets.

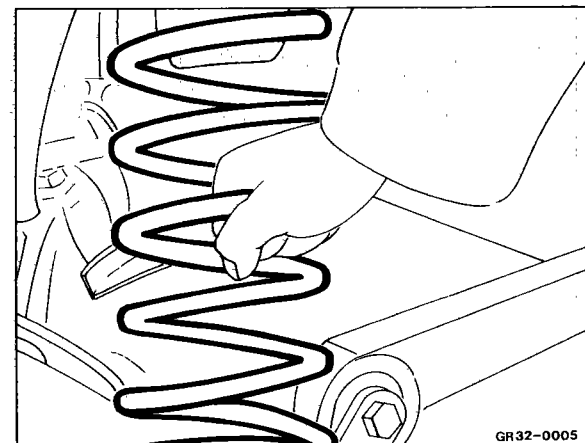


7 Unscrew nut. Remove shock absorber at bracket.



8 Lower front axle. Remove springs.

**Note:** The ball joint in the drag link may not be pushed over excessively.



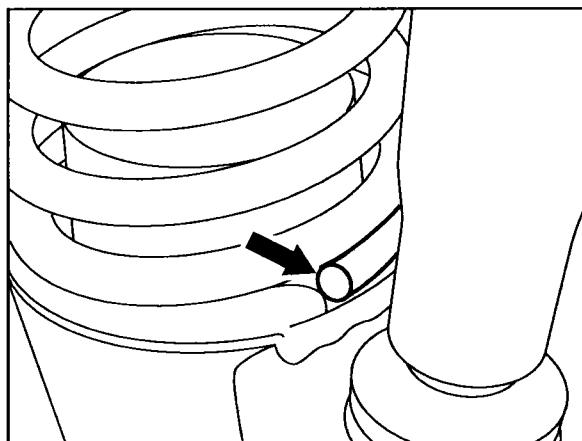
**9** Test shock absorbers for function and condition, renew if required, for this purpose, detach shock absorbers at the top from the mount, refer to 32.56 – 2.1/1.

**10** Check rubber mount, renew if required.

### Installation

**Note:** Only install springs with the same color code. Install springs in such a way that the end of the spring rests against the stop of the spring retainer.

**1** Install in reverse sequence.



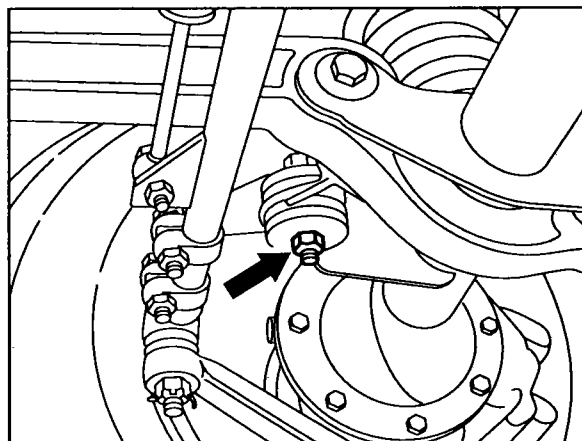
P32.20-0216-13

**2** Tighten fastening nuts of shock absorbers at bottom to **70 Nm**.

**3** Attach propeller shaft, refer to 41.51 – 2.1/1 and tighten bolts to 35 Nm.

**Note:** Use new self-locking nuts and tighten bolts to 35 Nm.

**4** Bleed brake system, see 42.



P32.25-0227-13