



---

Installation instructions

**Crash guard**

**88.1**

Type 463

In model 463 subsequent installation of the crash guard is possible.  
Carry out the necessary jobs according to the installation instructions.

The installation instructions are divided into the following sections:

- A. Installation
- B. Parts

**Note:** In the Federal Republic of Germany it is necessary to have the crash guard entered in the vehicle documents. For this purpose the TÜV/TÜA must be given a copy of the enclosed certificate of non-objection and confirmation from the Mercedes-Benz service center that the installation of the crash guard has been carried out according to the installation instructions.

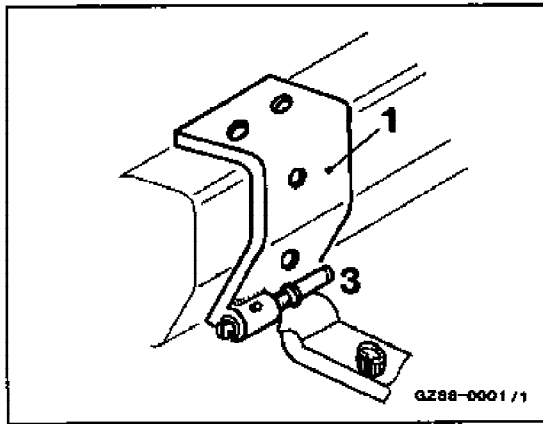
**Note:** Within the EU jurisdiction, it has not been permissible to sell or install rigid radiator guards and brush guards as of 1 January 2002 within the scope of a voluntary program for European motor vehicle manufacturers.

## 88.1 Crash guard

### A. Installation

1 Place bumper bracket (1) with turned-in hinge bolt (3) on impact protection bar.

2 Place protection bar with bumper bracket on bumper and center it relative to the two outer edges of the fenders.

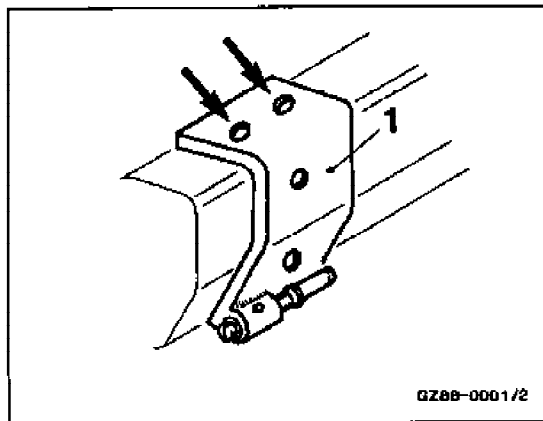


3 On the bumper, mark positions for two upper holes in bumper bracket.

**Note:** The bumper bracket must be in contact with the bumper across its entire contact surface.

4 Drill upper holes to a diameter of 13 mm (arrows).

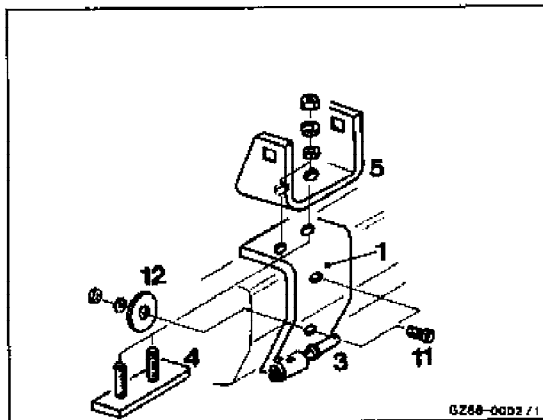
5 Remove impact protection bar from brackets.



6 Bolt bumper bracket (1) with stop plate (4) and support (5) to bumper.

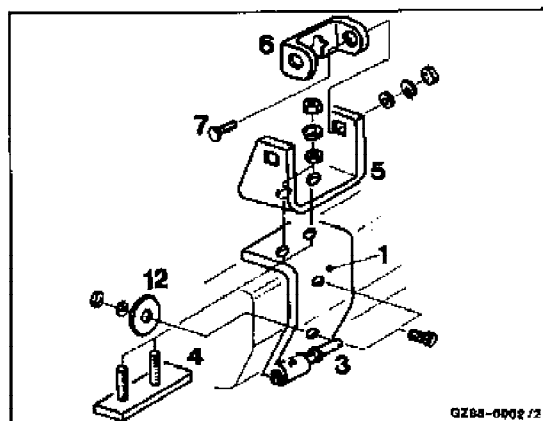
**Note:** Lightly tighten bolts.

7 Drill holes, dia. 10,5 mm, for countersunk screws (11). Attach bumper bracket at bottom with countersunk screws, washers and nuts.

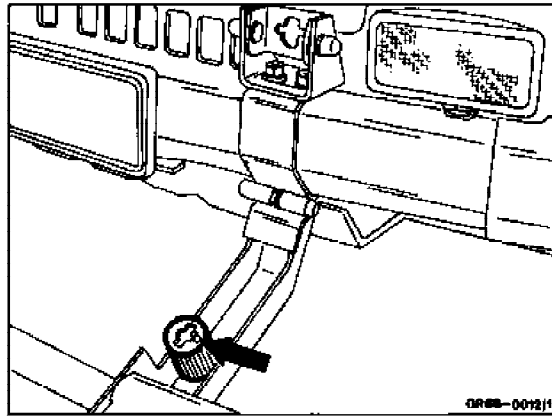


8 Fit stop joint (6) to support (5).

**Note:** Lightly tighten nuts.

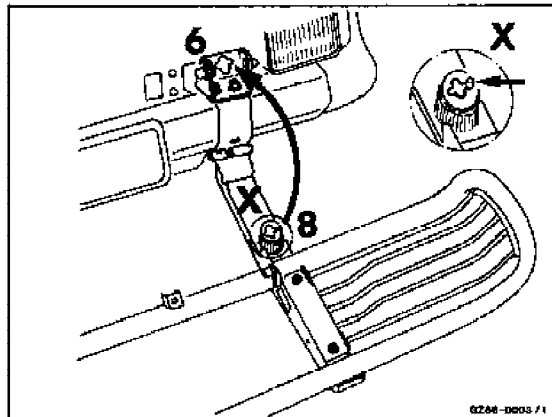


**9** Screw quick-fastener into impact protection bar. Slide protection bar onto hinge bolt (5).

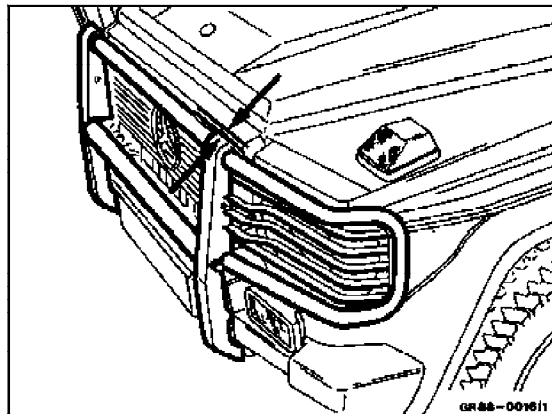


**10** Adjust quick-fastener (8) to front end of vehicle by screwing in or out.

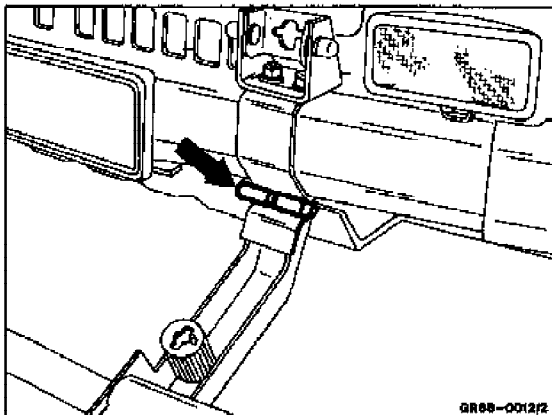
**Note:** Locking pin (detail X) must engage in cross-shaped cutout in stop joint (6). (Twist prevention).



**Note:** Clearance between impact protection bar and front edge of vehicle should be 20 mm (arrows).



**11** Align protection bar left and right by finely adjusting the hinge bolts (8).

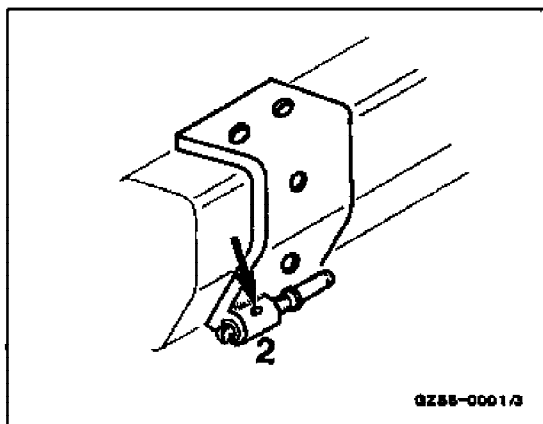


## 88.1 Crash guard

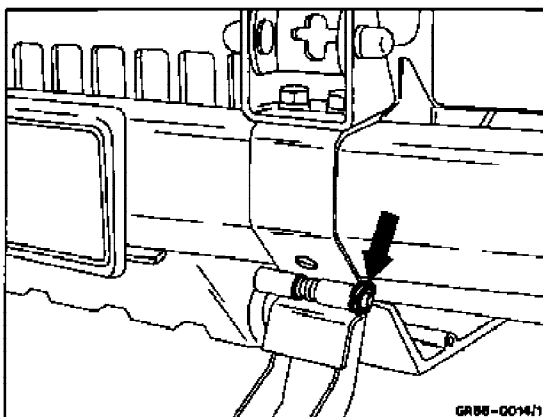
12 Remove impact protection bar.

13 Secure threads of hinge bolts (2) with adhesive (Loctite 241).

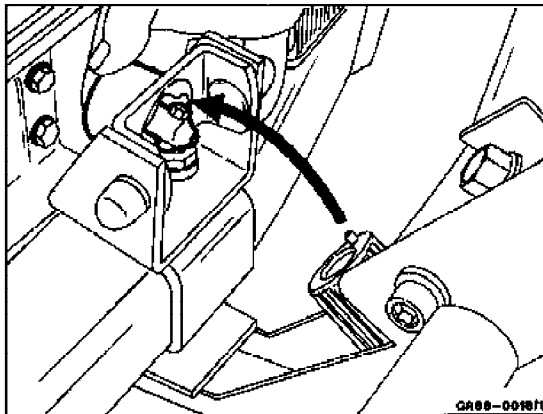
**Note:** Coat all holes with paint. Fully tighten all nuts and bolted connections.



14 Fit impact protection bar. Secure hinge bolts with cotter pins (arrow).



15 Insert quick-release bolts in stop joint.



16 Tighten quick-release bolt with enclosed special wrench.

