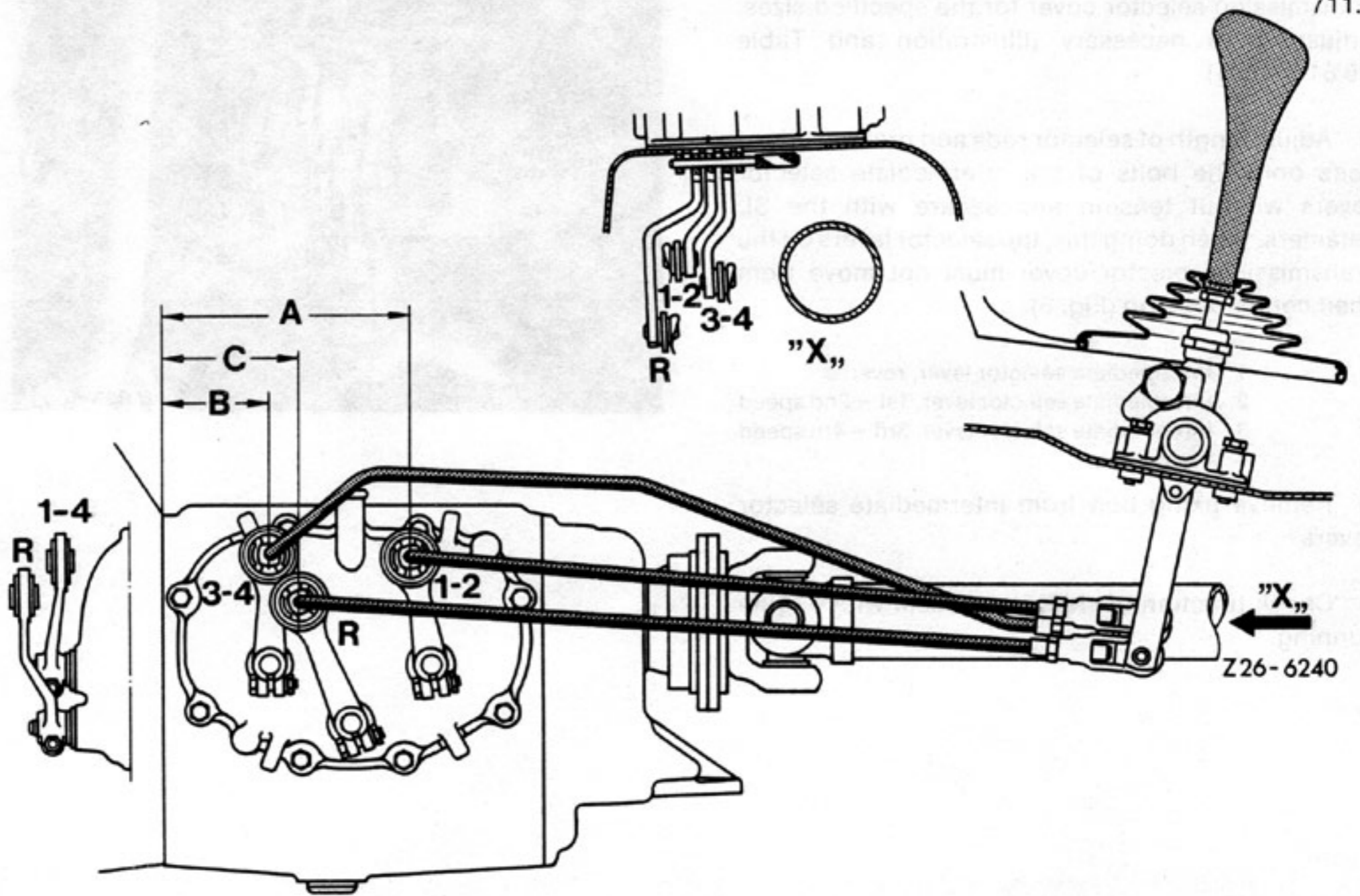


711.1
711.2

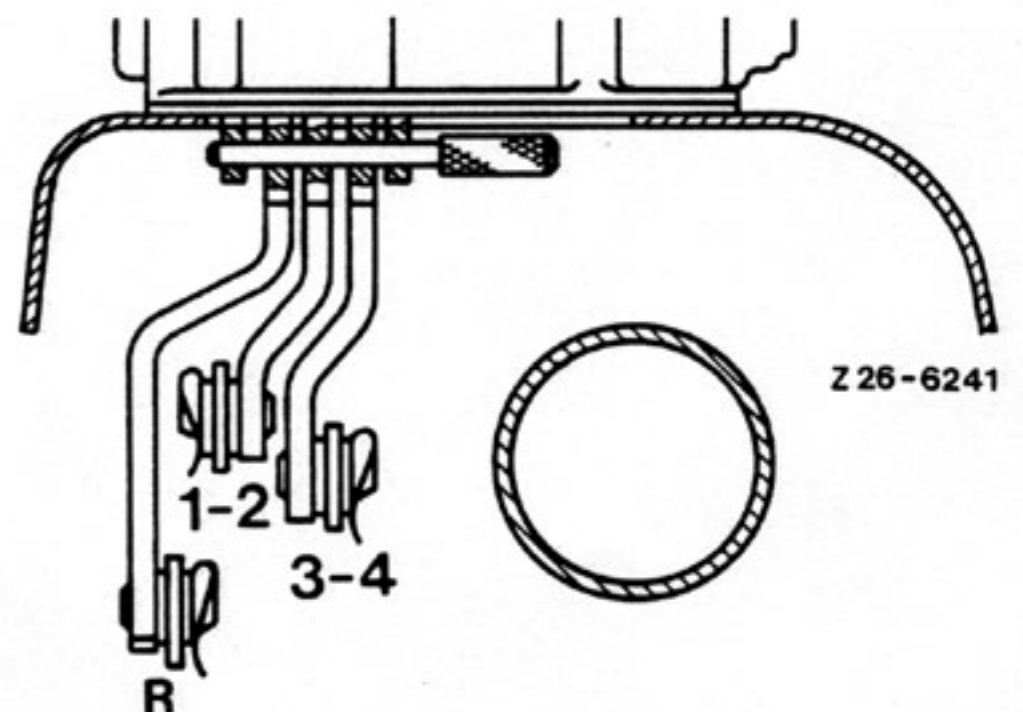


Dimensions for adjusting shift lever of floor-mounted shift

Type of transmission	711.2	711.1
Adjustment size		
A = 1st and 2nd speed	130	148
B = 3rd and 4th speed	58	63
C = reverse	69	80

Adjustment

- 1 Detach selector rods at levers of bearing bracket of floor shift after removing the SL retainers.
- 2 Fix the three intermediate selector levers at the bottom of the gear shift lever bracket by pushing the fixing bolt into the holes provided (Fig. 2).



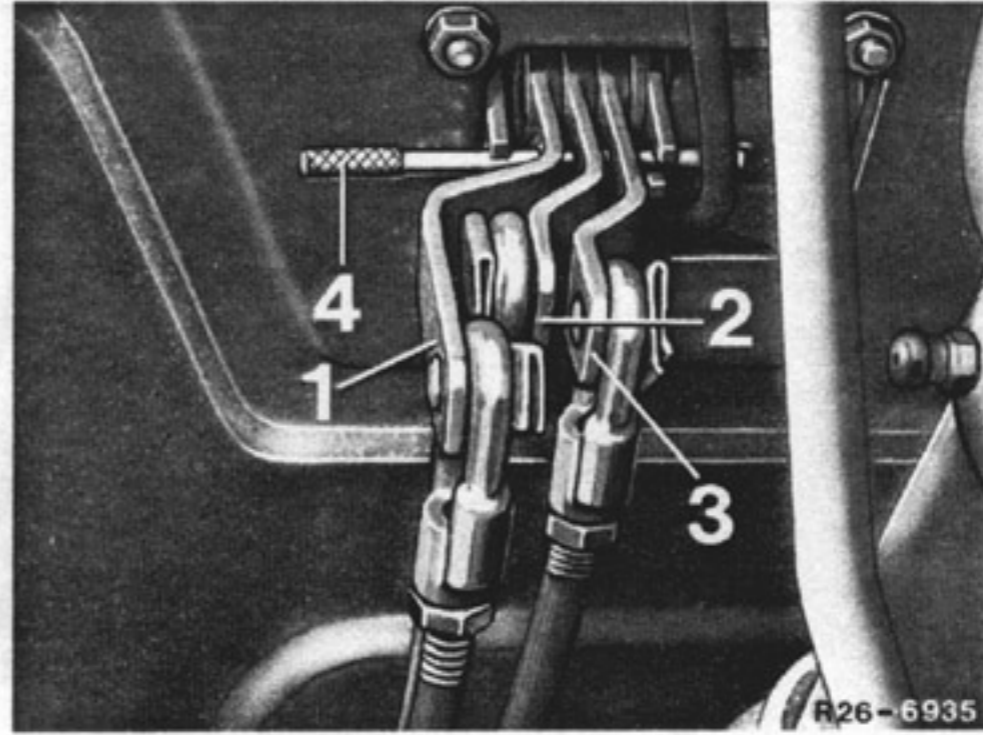
R Reverse speed



26.61 Adjusting floor shift

3 Engage neutral gear, then check position of selector levers on transmission selector levers on transmission selector cover for the specified sizes, adjusting as necessary (Illustration and Table 26.61-500/1).

4 Adjust length of selector rods and press heads of rods onto the bolts of the intermediate selector levers without tension and secure with the SL retainers. When doing this, the selector levers on the transmission selector cover must not move from their center position (Fig. 3).



- 1 Intermediate selector lever, reverse
- 2 Intermediate selector lever, 1st - 2nd speed
- 3 Intermediate selector lever, 3rd - 4th speed
- 4 Fixing bolt

5 Remove fixing bolt from intermediate selector levers.

6 Check function of shift mechanism with engine running.

